

### BH451616 Series

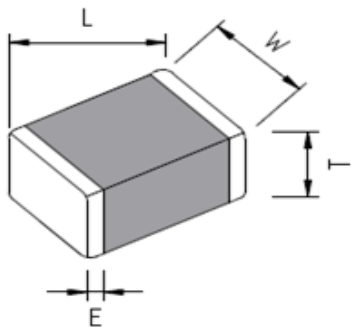
#### Features :

- Use on high current circuits due to its low DC resistance.
- Meet power lines to the maximum at 3A DC.
- For EMI suppression of the high DC current power line.
- Operating temperature range of -55°C to +125°C
- Storage temperature range of -40°C to +85°C

#### Applications :

- Various power lines of electronic equipment.
- Various automotive electronics.
- Mother board, tablet PC, laptop, desktop computer and peripheral equipment.

#### Shapes And Dimensions : (Unit :mm)



L	W	T	E
4.5 ± 0.2	1.6 ± 0.2	1.6 ± 0.2	0.6~1.0

#### Part Number Code :

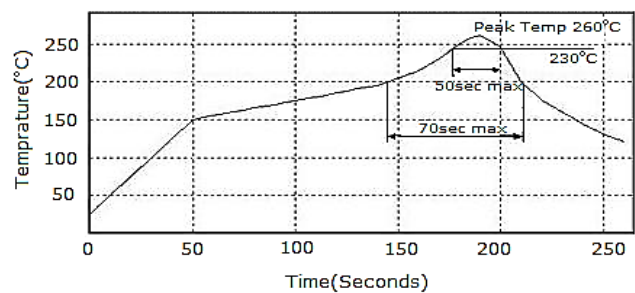
**BH 451616 A 121 -E**

①      ②      ③      ④      ⑤

- 1 : Series
- 2 : Dimensions L x W x T
- 3 : Material Code
- 4 : Normal Impedance
- 5 : Lead-Free

#### Reflow Profile :

Peak Temp : 260°C  
Max time above 230°C 50sec  
Max time above 200°C 70sec



**BH451616 Series**

Part No.	Impedance $\Omega \pm 25\% @ 100\text{MHz}$	DCR( $\Omega$ ) (max.)	Rated Current (mA) (max.)
BH451616A600	60	0.04	3000
BH451616A800	80	0.04	3000
BH451616A101	100	0.04	3000
BH451616A181	180	0.04	3000
BH451616A181 RDC025	180	0.03	3000
BH451616A851 RDC1	850	0.10	1500
BH451616A102 RDC09	1000	0.09	1500